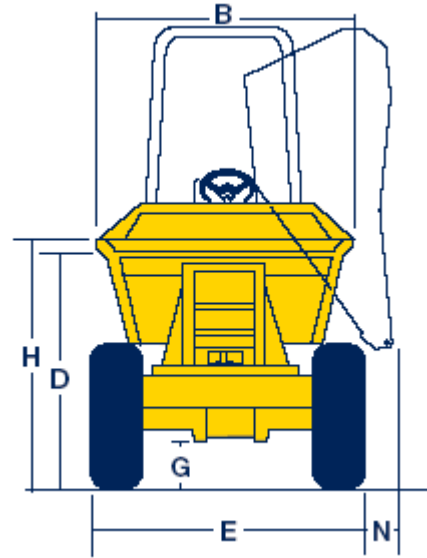
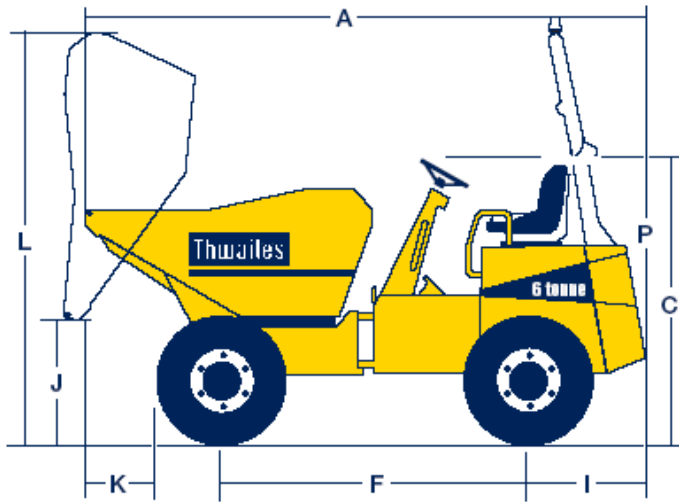


# THWAITES 6 TONNE POWER SWIVEL DUMPER



DIMENSIONS	
mm	
A	4752
B	2280
C	2230
D	1670
E	2240
F	2480
G	370
H	1850
I	1167
J	1100
K	550
L	3694
M	2230
N	100
P	3390

CAPACITIES	
Max.safe load	6000 kg
Heaped	3150 litres
Struck	2550 litres
Water	1650 litres
Unladen Weight	4255 kg
SPEEDS - FORWARD & REVERSE	
1	2.9 mph
2	4.8 mph
3	9.0 mph
4	16.5 mph
TYRE PRESSURES	
FRONT	3.9 Bar 57 PSI
REAR	3.0 Bar 44 PSI
NOISE LEVELS	
Operators ear	84 LpA
Airborne sound power	106 LwA

## KEY FEATURES

- ◆ Thwaites Kinglink chassis provides superior stability and traction for rough terrain.
- ◆ Hydraulic priority power steering.
- ◆ Hydraulically operated skip with 8mm steel base plate and reinforced sides to minimise skip damage.
- ◆ Front tip and power swivel with rotation through 180°.
- ◆ Automatic safety lock holds skip in the central position when travelling.
- ◆ 4 X 4 drive.
- ◆ Adjustable suspension seat, accessible from both sides.
- ◆ Super bright warning lights for all critical functions.



CALL **VHS** PLANT HIRE on 0121 360 4161

