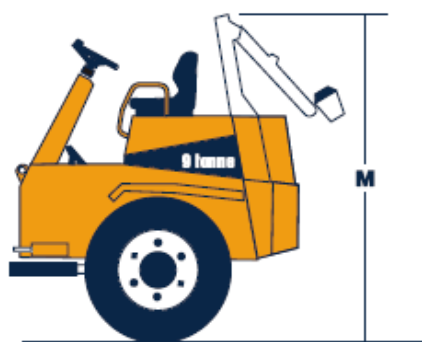
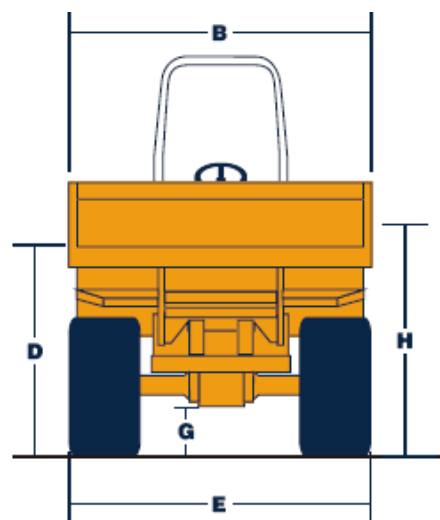
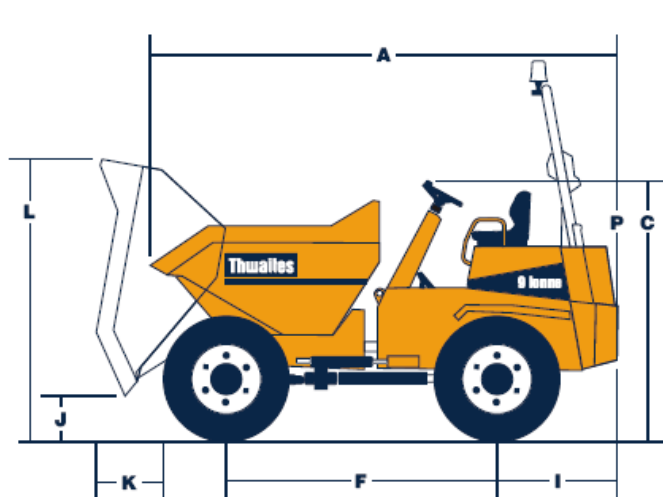


THWAITES 9 TONNE DUMPER



DIMENSIONS	
mm	
A	4480
B	2490
C	2400
D	1730
E	2380
F	2545
G	410
H	2020
I	1192
J	400
K	480
L	2676
M	2475
P	3625

CAPACITIES	
Max.safe load	9000 kg
Heaped	4600 litres
Struck	3830 litres
Water	2155 litres
Unladen Weight	4645 kg
SPEEDS - FORWARD & REVERSE	
1	3.1 mph
2	5.5 mph
3	10.5 mph
4	17.8 mph
TYRE PRESSURES	
FRONT	2.8 Bar 41 PSI
REAR	1.4 Bar 20 PSI
NOISE LEVELS	
Operators ear	84LpA
Airborne sound power	106 LwA

KEY FEATURES

- ◆ Thwaites Kinglink chassis provides superior stability and traction for rough terrain.
- ◆ Hydraulic priority power steering.
- ◆ Hydraulically operated skip with 6mm steel base plate and reinforced sides to minimise skip damage.
- ◆ Front tip.
- ◆ 4 X 4 drive.
- ◆ Adjustable suspension seat, accessible from both sides.
- ◆ Super bright warning lights for all critical functions.
- ◆ Hinged folding R.O.P.S. frame is fitted as standard.



CALL **VHS** PLANT HIRE on 0121 360 4161

