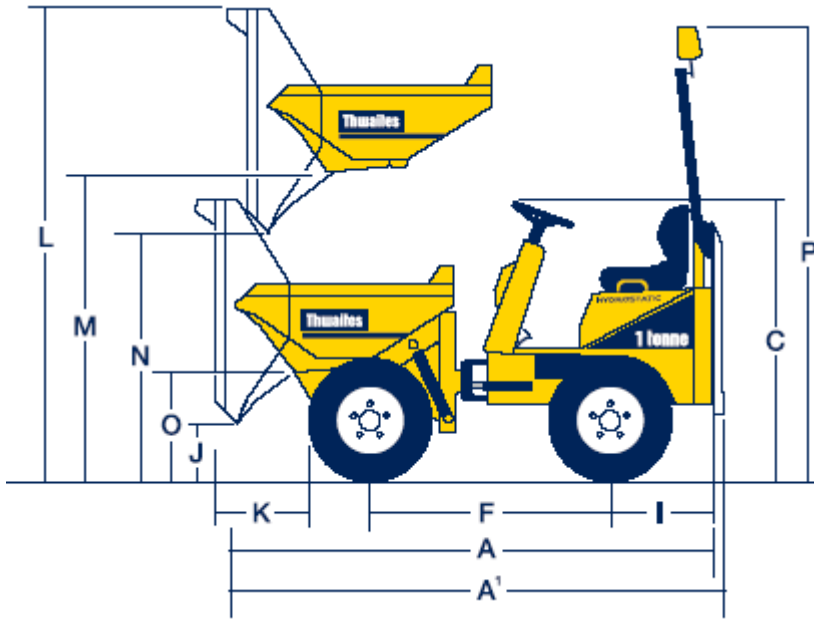
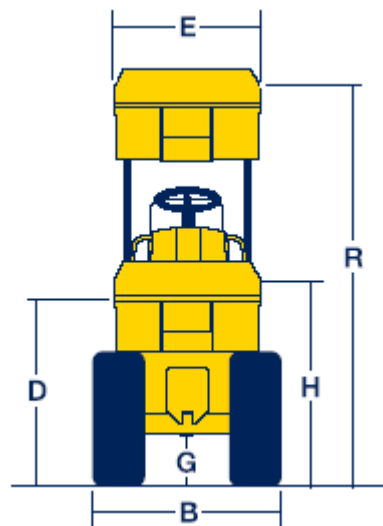


THWAITES 1 TONNE HI-TIP DUMPER



| DIMENSIONS | |
|------------|------|
| mm | |
| A | 3032 |
| A1 | 3192 |
| B | 1115 |
| C | 1773 |
| D | 1155 |
| E | 982 |
| F | 1500 |
| G | 274 |
| H | 1262 |
| I | 654 |
| J | 346 |
| K | 505 |
| L | 3005 |
| M | 1913 |
| N | 1573 |
| O | 720 |
| P | 2860 |
| R | 2370 |

| CAPACITIES | |
|----------------------|----------------|
| Max.safe load | 1000 kg |
| Heaped | 500 litres |
| Struck | 400 litres |
| Water | 280 litres |
| Unladen Weight | 1190 kg |
| SPEED | |
| Forward | 0-12 km/h |
| Reverse | 0-12 km-h |
| TYRE PRESSURES | |
| FRONT | 3.0 Bar 44 PSI |
| REAR | 3.0 Bar 44 PSI |
| NOISE LEVELS | |
| Operators ear | 84 LpA |
| Airborne sound power | 102 LwA |



KEY FEATURES

- ◆ Adjustable suspension seat, accessible from both sides.
- ◆ Super bright warning lights for all critical functions.
- ◆ Audible warning device at keystart "on" position.
- ◆ Hydraulic power steering
- ◆ Front and rear chassis constructed from folded steel plate, with centre-point articulation and oscillation for optimum stability and traction.
- ◆ Automatic failsafe braking system incorporated in rear drive motors.
- ◆ Hydraulically operated skip with 3mm base and 4mm sides steel plate. Raise and tip operated by twin control levers.



CALL **VHS** PLANT HIRE on 0121 360 4161

