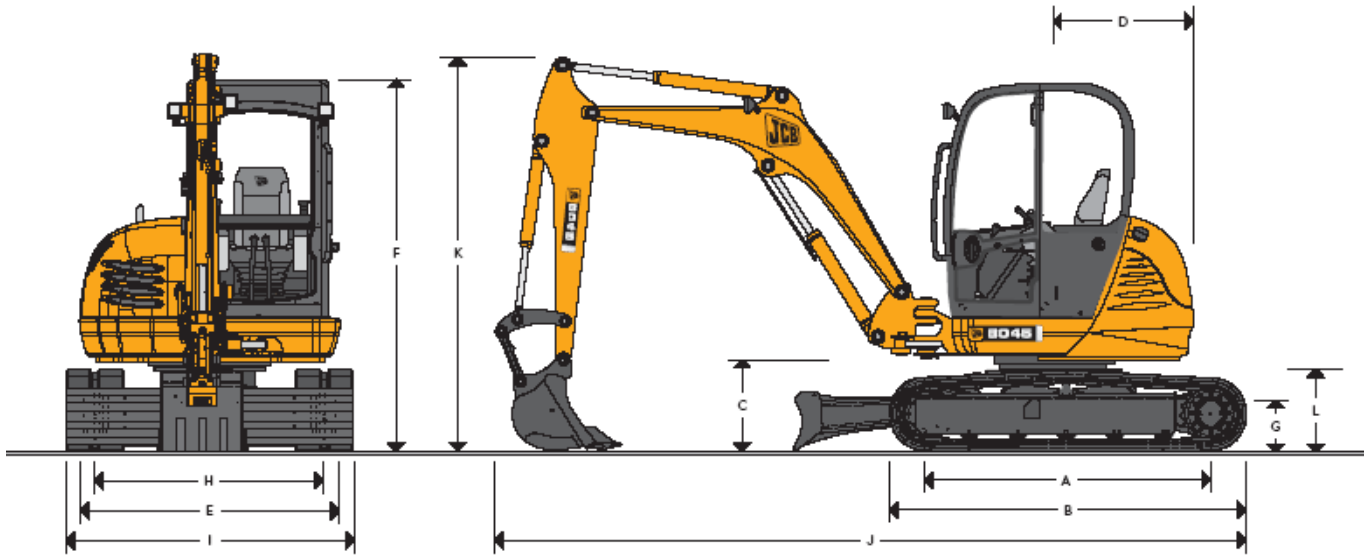
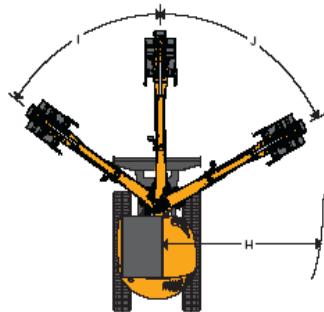
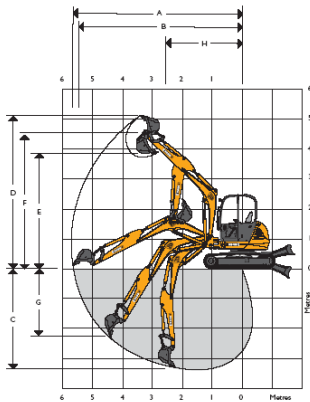


# JCB 8050RTS 5 TONNE MINI EXCAVATOR



## STATIC DIMENSIONS

		mm	ft-in			mm	ft-in
<b>A</b>	Sprocket idler centres	1990	6'6"	<b>G</b>	Ground clearance	340	1'1 1/2"
<b>B</b>	Undercarriage overall length	2530	8'4"	<b>H</b>	Track gauge	1580	5'2"
<b>C</b>	Kingpost clearance	690	2'3"	<b>I</b>	Width over tracks	1980	6'6"
<b>D</b>	Tailswing radius	1055	3'5"	<b>J</b>	Transport length	5170	16'11 1/2"
<b>E</b>	Overall width of superstructure	1800	5'11"	<b>K</b>	Transport height	2736	9'0"
<b>F</b>	Height over cab	2563	8'5"	<b>L</b>	Track height	570	1'10 1/2"



## WORKING RANGE

	Dipper length	1900mm
<b>A</b>	Max. digging reach	6142mm
<b>B</b>	Max. digging reach on ground	6025mm
<b>C</b>	Max. digging depth - dozer up	3764mm
	Max. digging depth - dozer down	3973mm
<b>D</b>	Max. digging height	5528mm
<b>E</b>	Max. dump height	4102mm
<b>F</b>	Max height to dipper nose pivot pin	4785mm
<b>G</b>	Max. vertical wallcut depth	2510mm
<b>H</b>	Min. front swing radius (no offset)	2474mm
	Min. front swing radius (fully offset)	2186mm
<b>I</b>	Boom swing left	60 degrees
<b>J</b>	Boom swing right	65 degrees
	Bucket rotation	200 degrees
	Dipper rotation	125 degrees
	Bucket tearout	42.2kN
	Dipper tearout	23.7kN
	Slew speed	10rpm
	Operating Weight	5235kg

## KEY FEATURES

- ◆ **New twinlock fully hydraulic Quick Hitch**
- ◆ Reduced Tail Swing
- ◆ Dozer blade
- ◆ Rubber tracks
- ◆ Cab guards available
- ◆ R.O.P.S. & T.O.P.S. certified canopy
- ◆ Fully glazed spacious cab with heater
- ◆ All-round visibility
- ◆ Cab unit mounting is designed to reduce noise and vibration levels within the cab.
- ◆ Piped for auxiliary hydraulic attachment.



CALL



PLANT HIRE on 0121 360 4161

