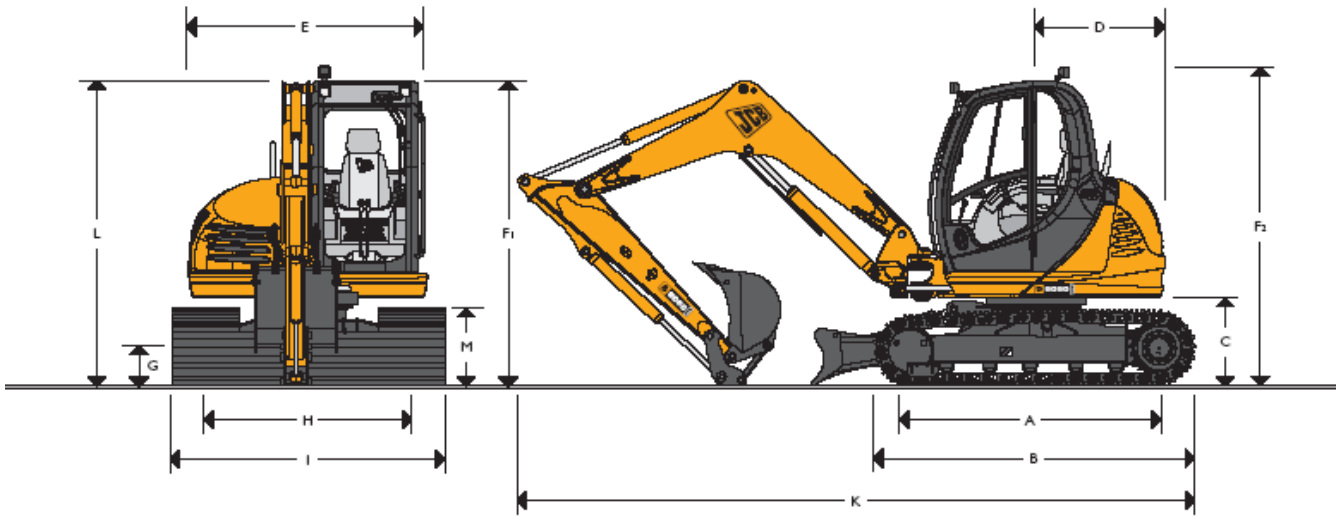
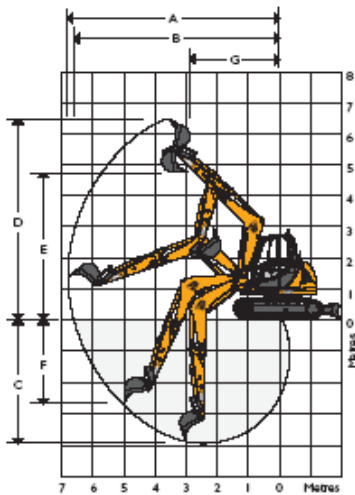


JCB 8 TONNE MIDI EXCAVATOR 8080ZTS



STATIC DIMENSIONS

		mm	ft-in			mm	ft-in
A	Track length on ground	2200	7'3"	G	Ground clearance	363	1'2"
B	Undercarriage overall length	2830	9'3"	H	Track gauge	1850	6'1"
C	Counterweight clearance	767	2'6"	I	Width over tracks (450mm shoes)	2300	7'7"
D	Tailswing radius	1160	3'10"	K	Transport length (2000mm dipper)	6060	19'11"
E	Overall width of superstructure	2135	7'0"	L	Transport height (2000mm dipper)	2830	9'3"
F1	Height over cab	2709	8'11"	M	Track height	665	2'2"
F2	Height over cab worklights	2830	9'3"		Operating Weight	8250kg	18188lbs



WORKING RANGE

Standard Boom 2m Dipper		mm	ft-in
A	Max digging reach	6836	22'5"
B	Max digging reach on ground	6677	21'11"
C	Max digging depth	4214	13'10"
D	Max digging height	6436	21'1"
E	Max dumping height	4703	15'5"
F	Max. vertical wallcut depth	2752	9'0"
G	Min. swing radius	2862	9'5"
		kN	lbf
Dipper tearout		36	8093
Bucket Tearout		50	11240
Bucket rotation		204deg	

- ◆ KINGPOST DESIGN
- ◆ ZERO TAIL SWING
- ◆ DOZER BLADE
- ◆ FULLY GLAZED CAB
- ◆ R.O.P.S. & T.O.P.S. CERTIFIED
- ◆ AIR CONDITIONING FOR OPERATOR COMFORT
- ◆ SEAT BELT FITTED AS STANDARD
- ◆ PIPED FOR AUXILIARY HYDRAULIC ATTACHMENT
- ◆ CAB GUARDS
- ◆ RADIO/CASSETTE
- ◆ RUBBER TRACKS—2 SPEED TRACK MOTORS
- ◆ **NEW TWINLOCK FULLY HYDRAULIC QUICK HITCH**

◆ ADVANCED MANAGEMENT SYSTEM (AMS):

- ◇ Graphical display of fuel level, water and oil temperatures.
- ◇ Audio-visual warnings and function selection.
- ◇ Controls work/digging modes to minimise fuel consumption.
- ◇ One touch idle facility.

◆ LOAD SENSED HYDRAULIC SYSTEM:

- ◇ Matches flow and pressure as required, maximising performance and saving fuel.
- ◇ Anti-stall function so the engine will not cut out.