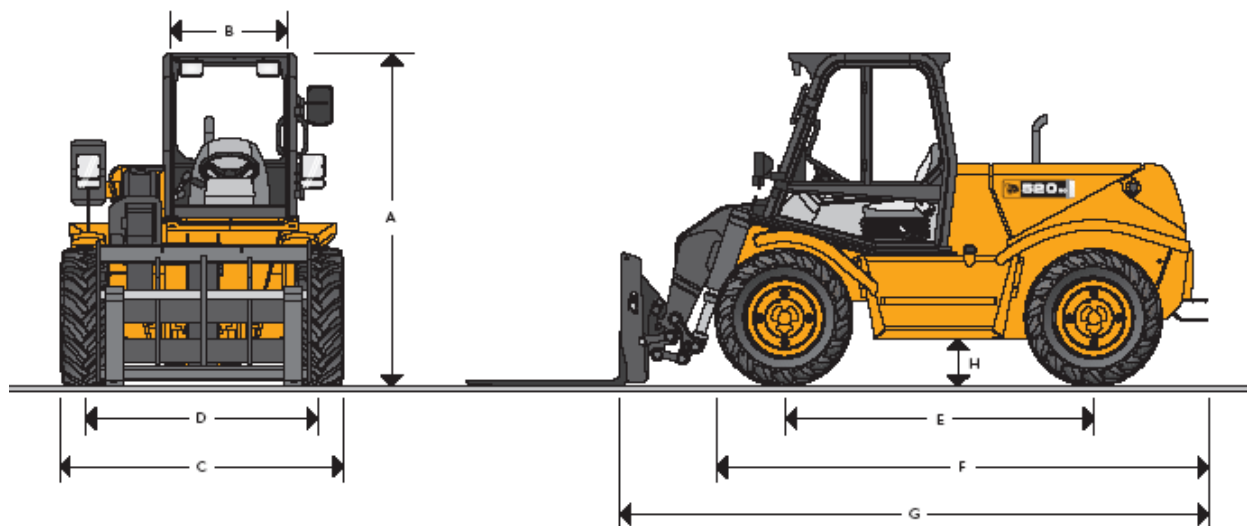
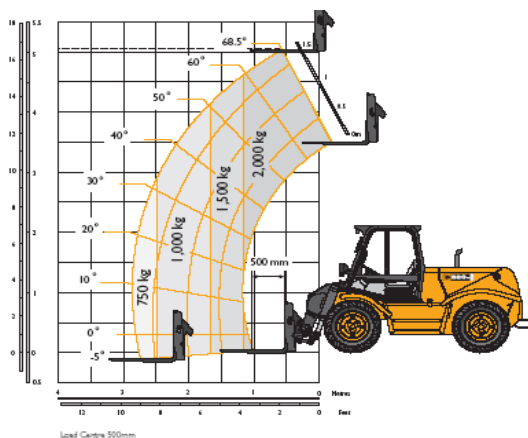


# JCB 520-50 TELEHANDLER



## STATIC DIMENSIONS

		m	ft-in			m	ft-in
<b>A</b>	Overall height	2.12	6'11"	<b>G</b>	Overall length to front of carriage	3.59	11'9"
<b>B</b>	Inside width of cab	0.90	2'7"	<b>H</b>	Ground clearance	0.30	1'0"
<b>C</b>	Width over tyres (min)	1.84	6'0"		Outer turn radius over tyres (min)	3.10	10'2"
<b>D</b>	Front Track	1.53	5'0"		Weight	4870kg	10736lb
<b>E</b>	Wheel base	2.00	6'7"		Tyres	10x18	10PR
<b>F</b>	Overall length to front of tyres	3.08	10'1"				



## LIFT PERFORMANCE

Lift capacity at full height	2000kg	4408lb
Lift capacity at full reach	750kg	1653lb
Max. lift height	5000mm	16'5"
Reach at max. lift height	600mm	2'0"
Maximum reach forward	2820mm	9'3"
Reach with 1 tonne load	2540mm	8'4"
Placing height	4600mm	15'1"

## KEY FEATURES

This versatile 4-wheel steer machine has a rigid chassis for great stability. It is ideal for industrial applications requiring the reach and load handling capability of a telescopic handler but with limited access or space to work in.

- ◆ The centrally mounted cab and low boom design provide all-round visibility.
- ◆ Permanent 4-wheel drive improves traction, loader ability and rough terrain mobility.
- ◆ Permanent 4-wheel steer, plus the compact machine size, provides an exceptionally tight turning circle with a radius of just 3m over the tyres for great manoeuvrability in small yards.
- ◆ A full power braking system ensures maximum safety and machine stability.
- ◆ Comfortable cab with ergonomically positioned instrumentation and controls.
- ◆ Pannier fuel and hydraulic tanks are very accessible for easy refuelling.
- ◆ Quick hitch attachment.
- ◆ Parking brake easily activated by a single push-button.