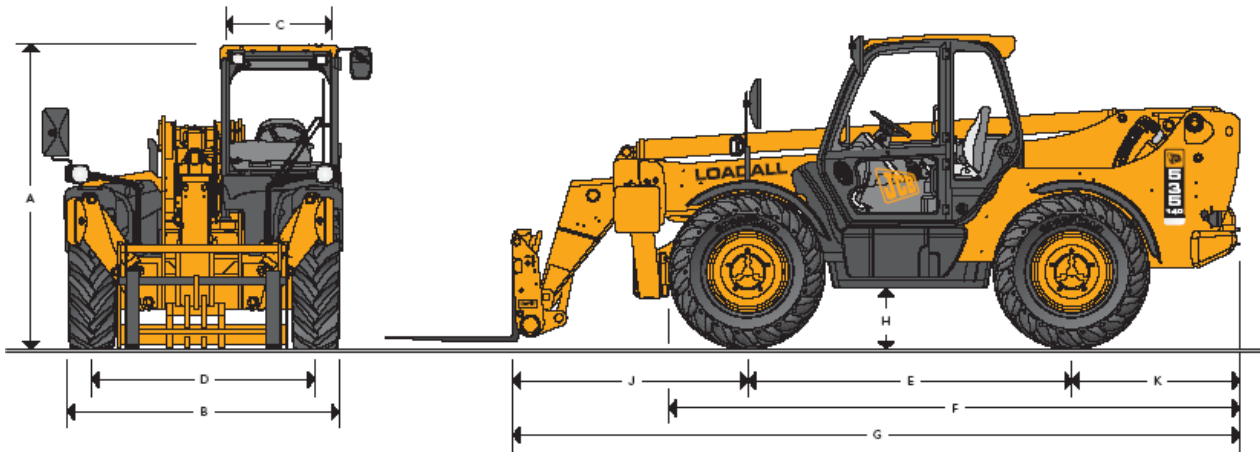
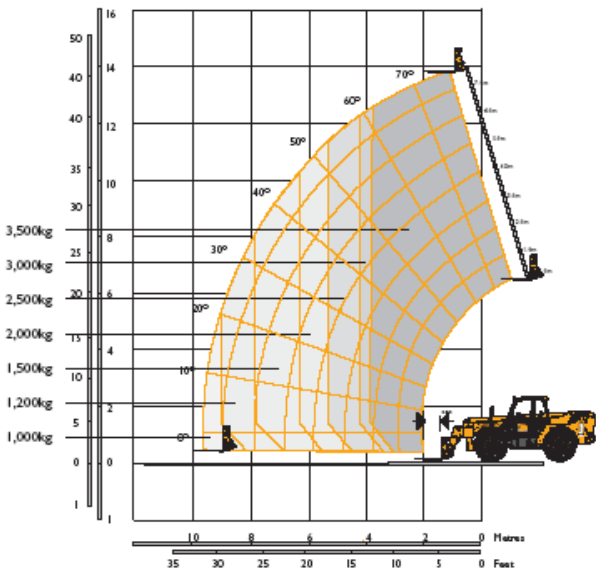


JCB 535-140 TELEHANDLER



STATIC DIMENSIONS

		m	ft-in			m	ft-in
A	Overall height	2.59	8'6"	J	Front wheel centre to carriage	2.00	6'62
B	Overall width (over tyres)	2.35	7'9"	K	Rear wheel centre to rear face	1.43	4'72
C	Inside width of cab	0.94	3'3"		Overall width with stabilisers fully deployed	2.56	8'4"
D	Front Track	1.90	6'3"		Outside turn radius (over tyres)	4.00	13'2"
E	Wheel base	2.75	9'0"		Carriage roll back angle	41.2 degrees	
F	Overall length to front tyres	4.83	15'10"		Carriage dump angle	9.3 degrees	
G	Overall length to front carriage	6.18	20'3"		Weight	10470kg	23062lb
H	Ground clearance	0.40	1'4"		Tyres	15.5	80-24



KEY FEATURES

- ◆ Low boom line and large roof window give all-round visibility.
- ◆ Instant steering selection between all wheel steer, front wheel steer and crab steer modes.
- ◆ Tight turn radius of 4.1m.
- ◆ Precise joystick control combined with smooth action hydraulics ensures quick and accurate control over the boom and carriage functions.
- ◆ Low centre of gravity and long wheelbase for increased stability.
- ◆ Spacious cab for operator comfort.
- ◆ Heavy duty stabilisers fitted as standard, to ensure safe placement of heavy loads to full height.
- ◆ Audio and visual warnings give driver feedback on engine and transmission status.
- ◆ Safe load indicator in the cab gives a readout of the machine's forward stability.
- ◆ Neutral start ensures drive is disconnected before the engine can be started.
- ◆ Drive is also disconnected when handbrake is engaged.;
- ◆ Air Conditioning.

LIFT PERFORMANCE

STABILISERS EXTENDED

Maximum lift capacity	3500kg	7716lb
Lift capacity to full height	3500kg	7716lb
Lift capacity at full reach	1000kg	2200lb
Lift height	13.8m	45'3"
Reach at maximum lift height	1.0m	3'2"
Maximum forward reach	9.52m	31'2"
Reach with 1tonne load	9.52m	31'2"
Placing height	13.0m	42'7"